

■ C-band PLL LNB - Internal Reference (L.O. Stability: ±10 ppm) -
MODEL No. NJS8486H/87H/88H series

< Features >

- * **Low Noise Temperature**
 ·Noise Temperature: 15 K
- * **Low DC Current Drain**
 ·DC Current Drain: 350 mA
- * **Small Size & Light Weight**
 ·Weight: 800 g
- * **RoHS Compliance**



< Line-Up >

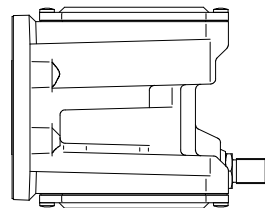
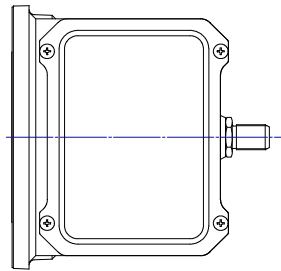
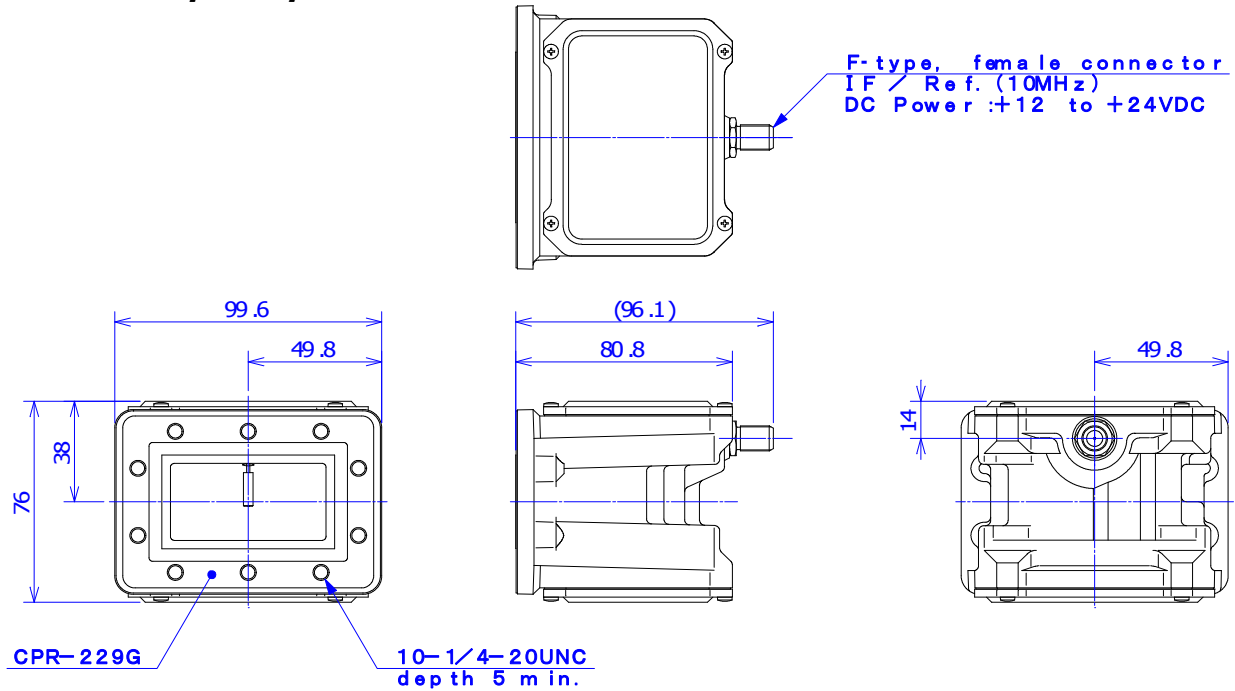
Model No.	RF Frequency	Local Frequency	IF Connector	Local Stability	IF Connector	Power Supply
NJS8486H	3.400 to 4.200 GHz (Palapa C-band)	5.15 GHz	950 to 1,750 MHz	+/- 10 ppm	F-type	+24 VDC (+12 to +24 VDC)
NJS8486HN			950 to 1,525 MHz		N-type	
NJS8487H	3.625 to 4.200 GHz (Standard C-band)	5.15 GHz			F-type	
NJS8487HN			N-type			
NJS8488H	4.500 to 4.800 GHz (Insat C-band)	5.76 GHz	960 to 1,260 MHz	+/- 10 ppm	F-type	+24 VDC (+12 to +24 VDC)
NJS8488HN					N-type	

< Specifications >

Item	Specifications
Input Interface	Waveguide, CPR229 (with Groove)
Output Interface	N-type, female (50 ohm) [Model No.: NJS8486HN/87HN/88HN] F-type, female (75 ohm) [Model No.: NJS8486H/87H/88H]
Noise Temperature (Ta.: +25 C)	15 K typ., 30 K max.
Linear Gain (Ta.: +25 C)	59 dB min., 66 dB max.
Local Stability	+/-10 ppm (Ta.: -30 to +60 C)
L.O. Phase Noise	-70 dBc/Hz typ. @ 100 Hz -80 dBc/Hz typ. @ 1 kHz -85 dBc/Hz typ. @ 10 kHz -95 dBc/Hz typ. @ 100 kHz
Spurious	a) -140 dBm max. at input, Fixed frequency spur, unrelated to test CW signal (Measured at specified IF band). b) -55 dBc max. with test CW signal -10 dBm IF output (Measured at specified IF band).
Input V.S.W.R.	3.0 : 1 typ.
Output V.S.W.R.	2.5 : 1 max.
Power Requirement	+24 VDC (+12 to +24 VDC)
Current Drain	350 mA max.
Temperature Range (ambient)	-40 to +60 C (operating), -40 to +80 C (storage)
Dimension & Housing (without Interface Connectors)	80.8 mm (L) x 99.6 mm (W) x 76 mm (H) [3.18" (L) x 3.92" (W) x 2.99" (H)]
Weight	800 g [1.76 lbs]

■ C-band PLL LNB - Internal Reference (L.O. Stability: ±10 ppm) -
MODEL No. NJS8486H/87H/88H series

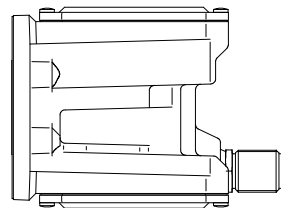
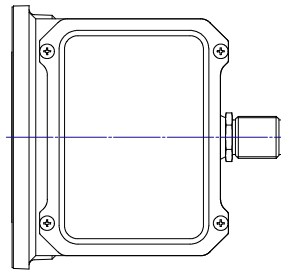
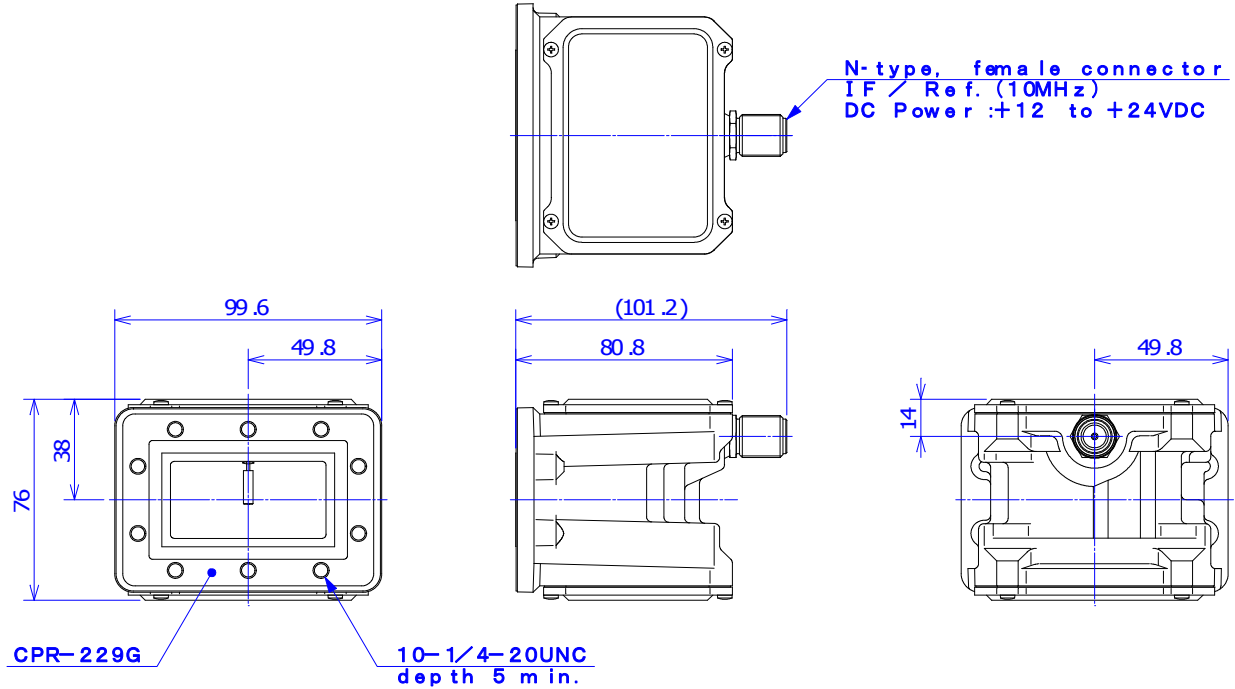
< Outline Drawing >
NJS8486H/87H/88H



Unit: mm

■ C-band PLL LNB - Internal Reference (L.O. Stability: ±10 ppm) -
MODEL No. NJS8486H/87H/88H series

< Outline Drawing >
NJS8486HN/87HN/88HN



Unit: mm